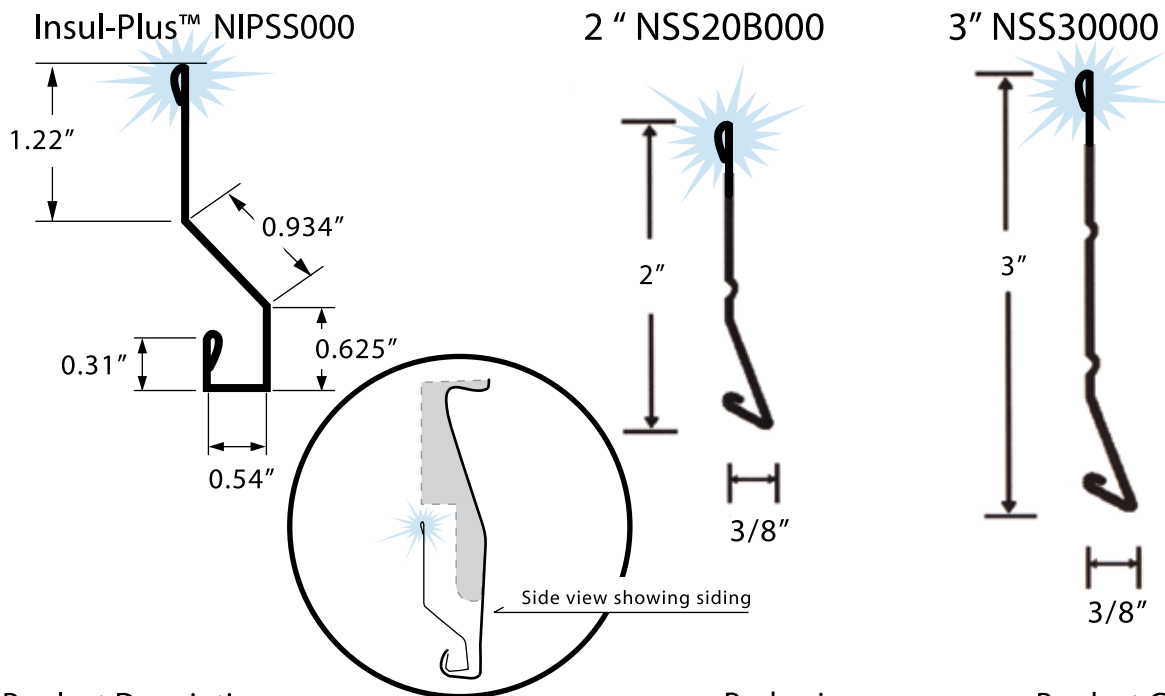


Steel Starter Strips



Product Description

ALSCO® steel starter strip is manufactured from galvanized steel sheet. It is available in three popular profiles.

The 2" and 3" profiles have a butt height that fits all standard-butt vinyl sidings. The 3" starter strip is especially useful for adjusting out-of-level situations.

Insul-Plus starter fits popular insulated vinyl sidings.

Packaging

- ▶ 10 feet long
- ▶ 25 pieces per carton
- ▶ 250 feet per carton

Product Codes

- 2" -- NSS20B000
- 3" -- NSS30000
- Insul-Plus-- NIPSS000

Features & Benefits

- ▶ Fit all standard-butt and popular insulated vinyl sidings.
- ▶ Provide a straighter, more rigid guide than vinyl starters for starting vinyl sidings.
- ▶ Has nail slots for easy application.
- ▶ Galvanized to resist rusting.
- ▶ Can be ordered and shipped with your aluminum products in quantities as little as one carton.

Customer Service:

Phone: 800-521-2930

FAX: 800-348-2629

Note: All drawings are artist renderings and are not intended to depict exact profile.

Aleris Rolled Products, Inc.

1 Reynolds Road

Ashville, Ohio

43103-0197

www.alscometals.com

ALSCO
Building Products Since 1947

Copyright © 2010 Aleris Rolled Products, Inc. ALSCO® is a registered trademark of Aleris Rolled Products, Inc. Aleris Rolled Products, Inc. reserves the right at its option, without liability, to change and/or delete products or colors at any time without notice. Changes to the product may have been made since publication.

ALSSPS011110