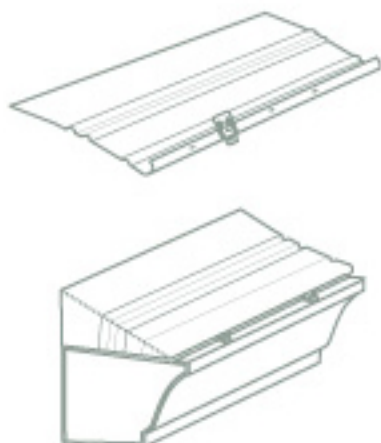


YOUR TRUSTED ONE-STOP SOURCE FOR RESIDENTIAL ALUMINUM EXTERIOR BUILDING PRODUCTS NOW OFFERS A ONE-STOP GUTTER SOLUTION

ALSCO® GUTTER GUARD WITH THE SUREFIT CLIP™...DESIGNED TO MAKE YOUR JOB EASIER

Ease of installation means more profits for you. Many gutter systems don't take the entire home into consideration. That's why ALSCO brings more to the table. With products for the entire home exterior, ALSCO's Gutter Guard with the SureFit Clip is designed to work with any roof and gutter slope, and with new or existing gutters.



- ▶ ALSCO Gutter Guard panels install under the first row of shingles, without fastening to the roof or shingles, themselves. The simple design cuts installation time in half.
- ▶ The product is versatile. It fits both 5" and 6" gutters.
- ▶ Simply attach two clips to every 4-foot section to ensure a quality fit.
- ▶ Packaged with SureFit Clips, screws and detailed instructions.

Customer Service:

Roxboro, NC
Phone: 800-521-2930
Fax: 800-348-2629

Beloit, WI
Phone: 800-831-8189
Fax: 608-362-2051

Ashville, OH
Phone: 800-722-4088
Fax: 740-983-3653

ALSCO Metals Corporation
3101 Poplarwood Ct.
Suite 200
Raleigh, NC 27604-1046

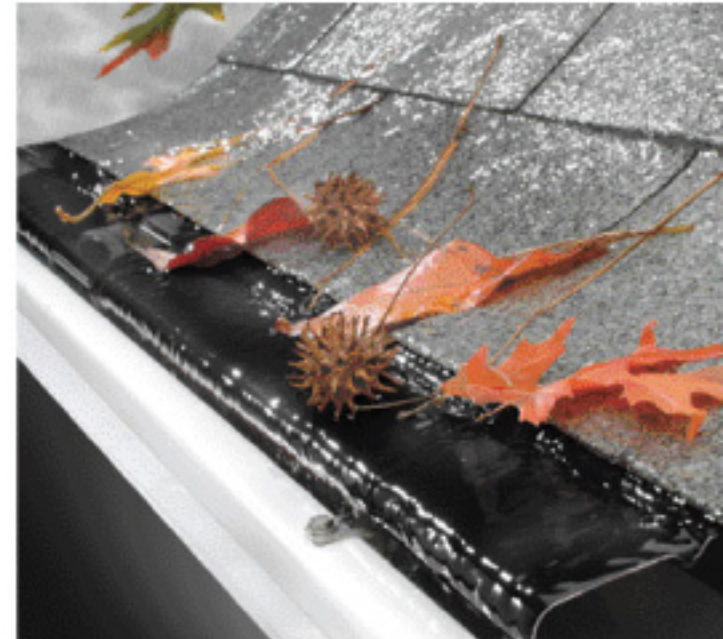
www.alscometals.com

ALSCO® is a registered trademark of ALSCO Metals Corporation. Dymala® is a registered trademark of ALSCO Metals Corporation. ALSCO Metals Corporation reserves the right at its option, without liability, to change and/or delete products or colors at any time without notice. Changes to the product may have been made since publication. Consult your authorized dealer prior to purchasing. Copyright© 2005 ALSCO® Metals Corporation. ALSGGBRO-15K-1205

ALSCO®



HUNDREDS OF LEAVES



THOUSANDS OF PINE NEEDLES



ONE SOLUTION

PROTECT YOUR BIGGEST INVESTMENT


GUTTER GUARD with the SureFit Clip™

PROVEN. SIMPLE. STRONG AND AFFORDABLE. THAT'S ALSCO® GUTTER GUARD.

Homeowners dread cleaning clogged gutters, but they need to protect their biggest investment, their home. Clogs can cause major structural damage to foundations, basements, crawl spaces, decks and damage to costly landscaping. With ALSCO Gutter Guard, homeowners can enjoy the benefits of a free-flowing gutter system. ALSCO Gutter Guard with the SureFit Clip™, offers a proven combination of value, design and ease of installation.

No other gutter guard comes from a trusted source like ALSCO. For nearly 60 years, ALSCO has added value to homes as the leading supplier of aluminum home-building products.

THERE'S NO QUESTION—ALSCO GUTTER GUARD IS THE HOOD THAT PROTECTS

Triple row of strengthening ribs make ALSCO Gutter Guard extra rigid and stable.

ALSCO's Dymalar® 2000 coating is extensively field-tested and is one of the most durable coatings on the market today.

Low-profile design gives a clean, finished look.

Easily attaches to new or existing 5- and 6-inch gutters using ALSCO's patent-pending SureFit Clip™.

Water actually adheres to the curves of the specially designed hood and simply flows into the gutters while debris slides off, away from the gutters.

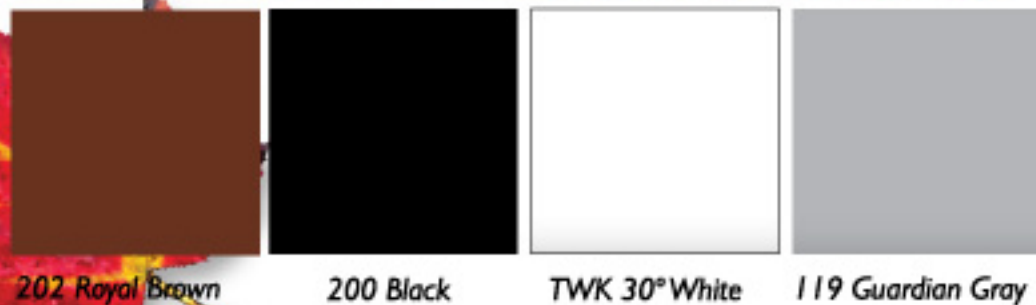
ALSCO Gutter Guard is made of heavy-gauge .019* aluminum. ALSCO Metals Corporation manufactures their own coil so they are able to optimize every step in the process. You receive a quality product every time.

*All stated metal thicknesses are nominal. The standard thickness tolerance for products made from aluminum sheet shall be ± 0.000 " to -0.003 ".

THE ALSCO GUTTER GUARD ADVANTAGE:

- Installation is quick and simple
- Patent-pending SureFit Clip gives you proper positioning--Every time
- Proven design works with new or existing gutter systems
- Requires no fasteners through the roof
- Industry-leading warranty backed by ALSCO, a name you have trusted since 1947
- Sturdy, effective design keeps debris out of gutters

ALSCO GUTTER GUARD IS OFFERED IN FOUR POPULAR COLORS TO COMPLIMENT ANY HOME.



INSTALLATION IS A BREEZE WITH ALSCO'S SUREFIT CLIP®

The hi-grade stainless steel SureFit Clip™ has positive-positioning stops that guarantee correct positioning and eliminate torquing, allowing the non-corrosive screw to lock securely in place every time. This innovative technology provides easy, safe installation.

